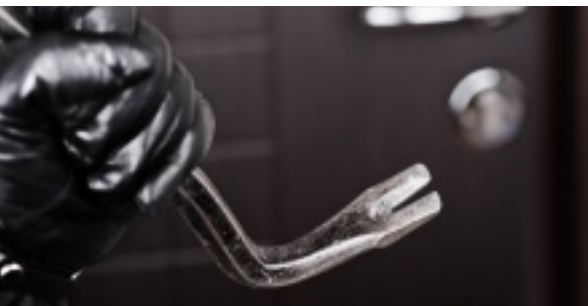




BURGLARY RESISTANT
COMPACT SAFE
DESIGNED TO PROTECT
PISTOLS FROM THEFT



PISTOL SAFE

BURGLARY-RESISTANT SAFE

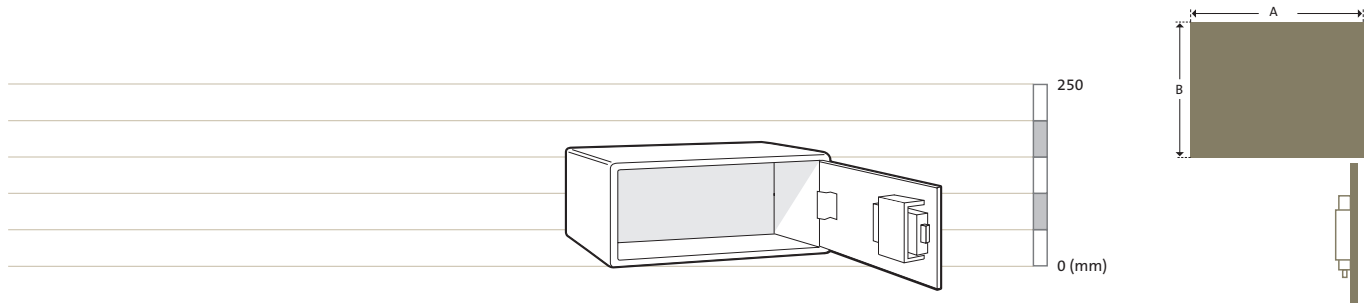


KEY FEATURES

- Designed to protect pistols from theft
- Supplied with a key lock
- Incorporates anti-drill protection
- Welded lock strap behind lock

PISTOL SAFE

PRODUCT SPECIFICATIONS



Model	External Height (mm)	External Width (mm)	External Depth (mm)	Internal Height (mm)	Internal Width (mm)	Internal Depth (mm)	Weight (kg)	Standard Internal Fittings
Pistol Safe	140	320	250	128	308	218	16	-

* Dimensions exclude handle and hinge projections

LOCKS



Pistol Safe comes with a manual key operated lock for extra safety and convenience to safeguard your valuables.

Available From :



**ABATE
SAFE CO.**

1800 01 91 71 sales@abatesafe.com.au
www.abatesafe.com.au