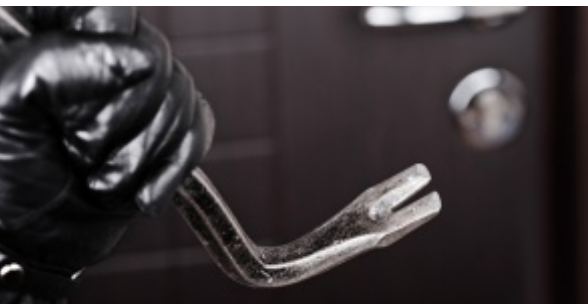




BURGLARY RESISTANT
COMPACT SAFE FOR
YOUR HOME & SMALL
RETAILER



DEPOSIT CONTAINER

BURGLARY PROTECTION FOR YOUR VALUABLES

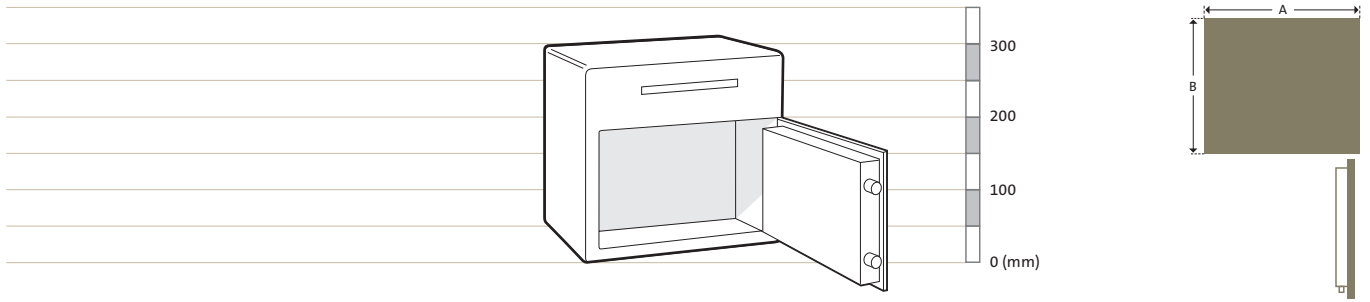


KEY FEATURES

- Ideal for a small retailer to secure documents or cash
- Provides access to multiple people without reducing security
- Convenient deposit of cash
- 8mm solid steel construction
- Electronic or key lock

DEPOSIT CONTAINER

PRODUCT SPECIFICATIONS



Model	External height (mm)	External width (mm)	External depth (mm)	Internal height (mm)	Internal width (mm)	Internal depth (mm)	Volume (litres)	Weight (kg)
T1-27KD	305	375	350	299	369	289	32	27

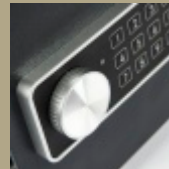
Dimensions exclude handle and hinge projections.

CONSTRUCTION

BODY

The body is constructed from 8mm solid steel. The whole assembly is powder-coated for long-lasting protection.

LOCKS



Deposit Container Chubb safes comes with convenient electronic or key lock.



Licensed Security
No. 786-555-70S

ABATE SAFE CO.

1800 01 91 71 sales@abatesafe.com.au

www.abatesafe.com.au

BY **GUNNEBO**

Chubb safes
Trusted the world over.